

# Micro Roller Burnishing tools

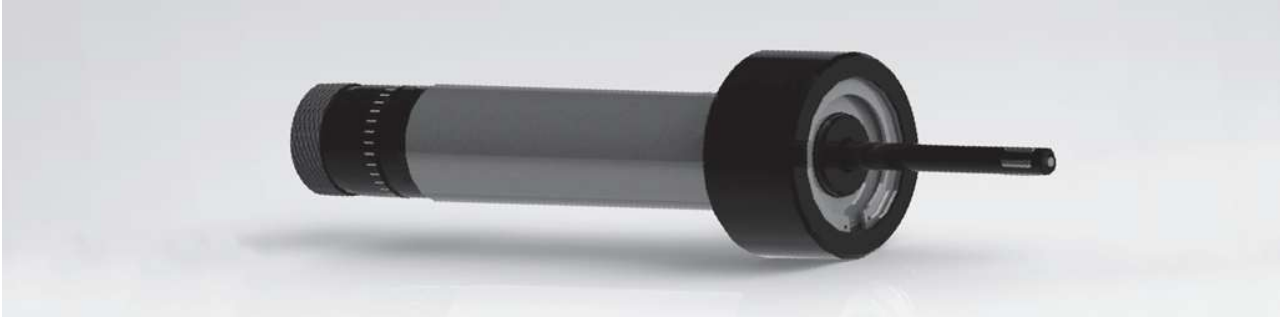
## MRBT Series



### Micro Roller Burnishing Tools *feature:*

- Compact design for use where limited space is available on multi-spindle SWISS and screw type machines.
- Internal tools from 0.187–0.501 inch (4.75–12.73mm) in thru style, and bottoming style larger than 0.246 inch (6.25mm).
- External tools from 0.054–0.254 inch (1.37–6.45mm) in bottoming style.
- Unique rear adjustment mechanism.

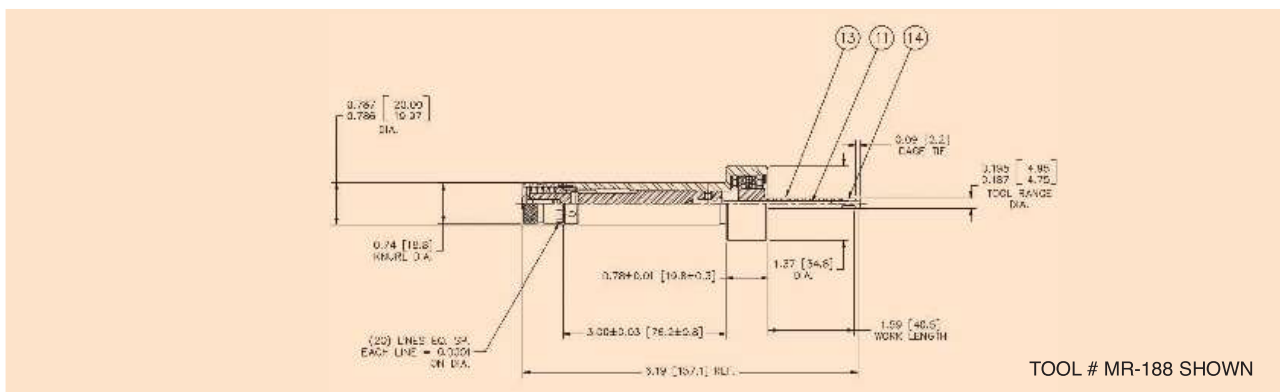
## Standard tool specifications



**Internal Micro Roller Burnishing Tool .187 TO .500 IN. (4.75 TO 12.7 MM)**  
 20 mm shank standard, 0.750 inch diameter shank available.

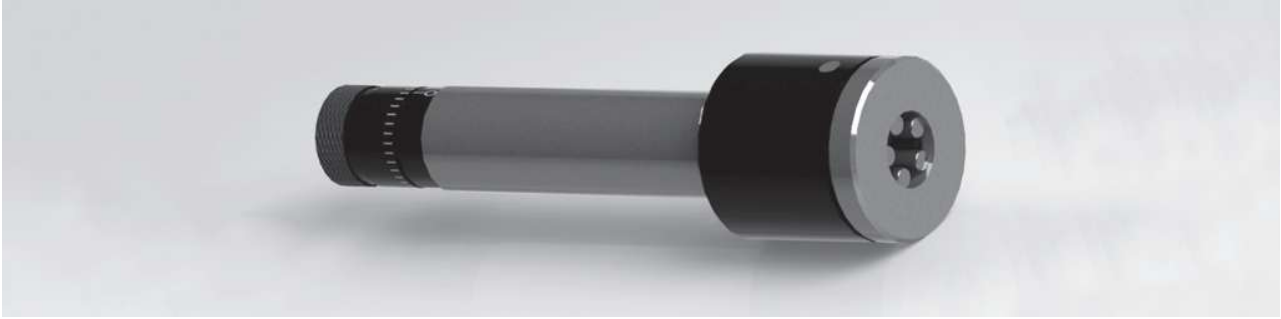
DIAMETER RANGE		TOOL #	ROLL	MANDREL	CAGE
INCHES	MM				
.187 - .195	4.75 - 4.95	MR-00188	SR-00187-D14 3 REQUIRED PER SET	MR-00188-D11	MR-00188-D13
.194 - .202	4.93 - 5.13	MR-00195		MR-00195-D11	MR-00195-D13
.202 - .210	5.13 - 5.33	MR-00203		MR-00203-D11	MR-00203-D13
.210 - .218	5.33 - 5.54	MR-00211		MR-00211-D11	MR-00211-D13
.218 - .226	5.54 - 5.74	MR-00219		MR-00219-D11	MR-00219-D13
.225 - .233	5.72 - 5.92	MR-00226		MR-00226-D11	MR-00226-D13
.233 - .241	5.92 - 6.12	MR-00234		MR-00234-D11	MR-00234-D13
.241 - .249	6.12 - 6.32	MR-00242	MR-00242-D11	MR-00242-D13	
.246 - .267	6.25 - 6.78	MR-00250	SR-00250-D14 5 REQUIRED PER SET	MR-00250-D11	MR-00250-D13
.262 - .283	6.65 - 7.19	MR-00266		MR-00266-D11	MR-00266-D13
.277 - .298	7.04 - 7.57	MR-00281		MR-00281-D11	MR-00281-D13
.293 - .314	7.44 - 7.98	MR-00297		MR-00297-D11	MR-00297-D13
.308 - .329	7.82 - 8.36	MR-00312	SR-00312-D14 5 REQUIRED PER SET	MR-00312-D11	MR-00312-D13
.324 - .345	8.23 - 8.76	MR-00328		MR-00328-D11	MR-00328-D13
.340 - .361	8.64 - 9.17	MR-00344		MR-00344-D11	MR-00344-D13
.355 - .376	9.02 - 9.55	MR-00359	MR-00359-D11	MR-00359-D13	
.371 - .392	9.42 - 9.96	MR-00375	SR-00375-D14 5 REQ'D PER SET	MR-00375-D11	MR-00375-D13
.387 - .408	9.83 - 10.36	MR-00391		MR-00391-D11	MR-00391-D13
.402 - .423	10.21 - 10.74	MR-00406		MR-00406-D11	MR-00406-D13
.418 - .439	10.62 - 11.15	MR-00422	MR-00422-D11	MR-00422-D13	
.434 - .455	11.02 - 11.56	MR-00438	SR-00438-D14 5 REQUIRED PER SET	MR-00438-D11	MR-00438-D13
.449 - .470	11.40 - 11.94	MR-00453		MR-00453-D11	MR-00453-D13
.465 - .486	11.81 - 12.34	MR-00469		MR-00469-D11	MR-00469-D13
.480 - .501	12.19 - 12.73	MR-00484		MR-00484-D11	MR-00484-D13

**Note:** Bottoming (blind bore) tools available in sizes .250 and larger. Designate "MR" as "MRB".



External Micro Roller Burnishing Tool **MRBT series**

# Standard tool specifications



**External Micro Roller Burnishing Tool 0.054 TO .250 IN. (1.37 TO 6.35 MM)**  
 20 mm shank standard, 0.750 inch diameter shank available.

DIAMETER RANGE		TOOL #	ROLL	MANDREL	CAGE
INCHES	MM				
.054 - .066	1.37 - 1.68	EMR-00062	RB-00500-D14  3 REQUIRED PER SET	EMR-00062-D11	EMR-00062-D13
.062 - .074	1.57 - 1.88	EMR-00070		EMR-00070-D11	EMR-00070-D13
.070 - .082	1.78 - 2.08	EMR-00078		EMR-00078-D11	EMR-00078-D13
.078 - .090	1.98 - 2.29	EMR-00086		EMR-00086-D11	EMR-00086-D13
.086 - .098	2.18 - 2.49	EMR-00094		EMR-00094-D11	EMR-00094-D13
.094 - .106	2.39 - 2.69	EMR-00102		EMR-00102-D11	EMR-00102-D13
.103 - .115	2.62 - 2.92	EMR-00111		EMR-00111-D11	EMR-00111-D13
.109 - .121	2.77 - 3.07	EMR-00117		EMR-00117-D11	EMR-00117-D13
.117 - .129	2.97 - 3.28	EMR-00125		EMR-00125-D11	EMR-00125-D13
.125 - .137	3.18 - 3.48	EMR-00133		EMR-00133-D11	EMR-00133-D13
.133 - .145	3.38 - 3.68	EMR-00141		EMR-00141-D11	EMR-00141-D13
.141 - .153	3.58 - 3.89	EMR-00149		EMR-00149-D11	EMR-00149-D13
.148 - .160	3.76 - 4.06	EMR-00156		EMR-00156-D11	EMR-00156-D13
.156 - .168	3.96 - 4.27	EMR-00164		EMR-00164-D11	EMR-00164-D13
.163 - .175	4.14 - 4.45	EMR-00171		EMR-00171-D11	EMR-00171-D13
.172 - .184	4.37 - 4.67	EMR-00180		EMR-00180-D11	EMR-00180-D13
.179 - .191	4.55 - 4.85	EMR-00187		EMR-00187-D11	EMR-00187-D13
.187 - .199	4.75 - 5.05	EMR-00195		EMR-00195-D11	EMR-00195-D13
.195 - .207	4.95 - 5.26	EMR-00203		EMR-00203-D11	EMR-00203-D13
.203 - .215	5.16 - 5.46	EMR-00211		EMR-00211-D11	EMR-00211-D13
.211 - .223	5.36 - 5.66	EMR-00219		EMR-00219-D11	EMR-00219-D13
.219 - .231	5.56 - 5.87	EMR-00227		EMR-00227-D11	EMR-00227-D13
.226 - .238	5.74 - 6.05	EMR-00234		EMR-00234-D11	EMR-00234-D13
.234 - .246	5.94 - 6.25	EMR-00242		EMR-00242-D11	EMR-00242-D13
.242 - .254	6.15 - 6.45	EMR-00250		5 REQ'D PER SET	EMR-00250-D11

**Note:** All EMR Series tools are bottoming style.

